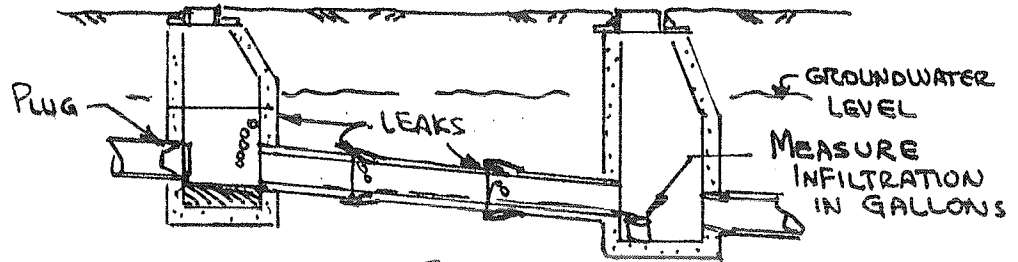


GARY K. MUNKELT, PE

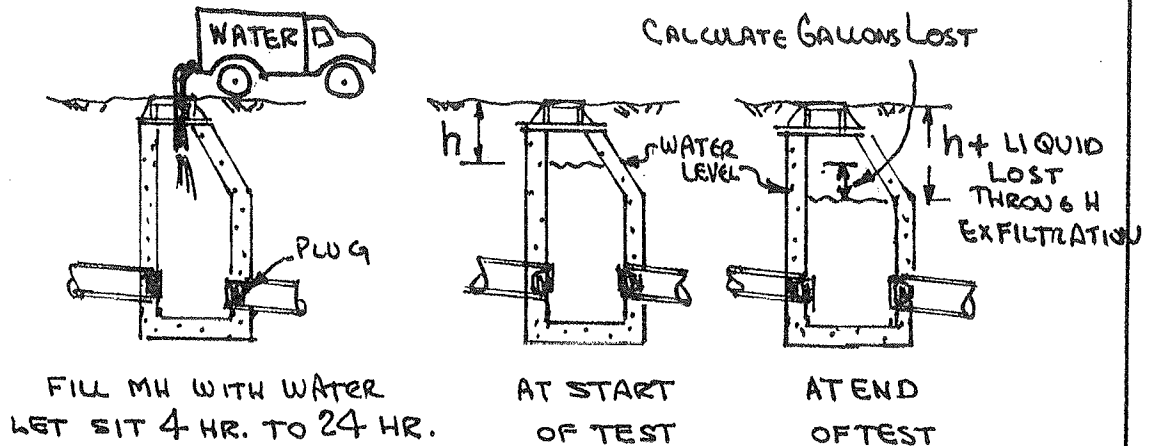
B. "Watertight Testing" includes infiltration testing and exfiltration testing

1. Infiltration is a concern when water level in the ground outside the precast concrete structure is above the bottom slab. ASTM C-969 describes a "procedure" and "leakage criteria." The criteria is measured in gallons per hour. Test data measurements include number of gallons of water lost over a period of time (hours).



## TESTING FOR INFILTRATION

2. Exfiltration is a concern when the liquid within a precast chamber is considered a pollutant unfriendly to the surrounding environment. ASTM C 969 describes a "procedure" and a "leakage criteria." The criteria is measured in gallons per hour. Test data measurements include number of gallons of water lost over a period of time (hours).



## TESTING FOR EXFILTRATION